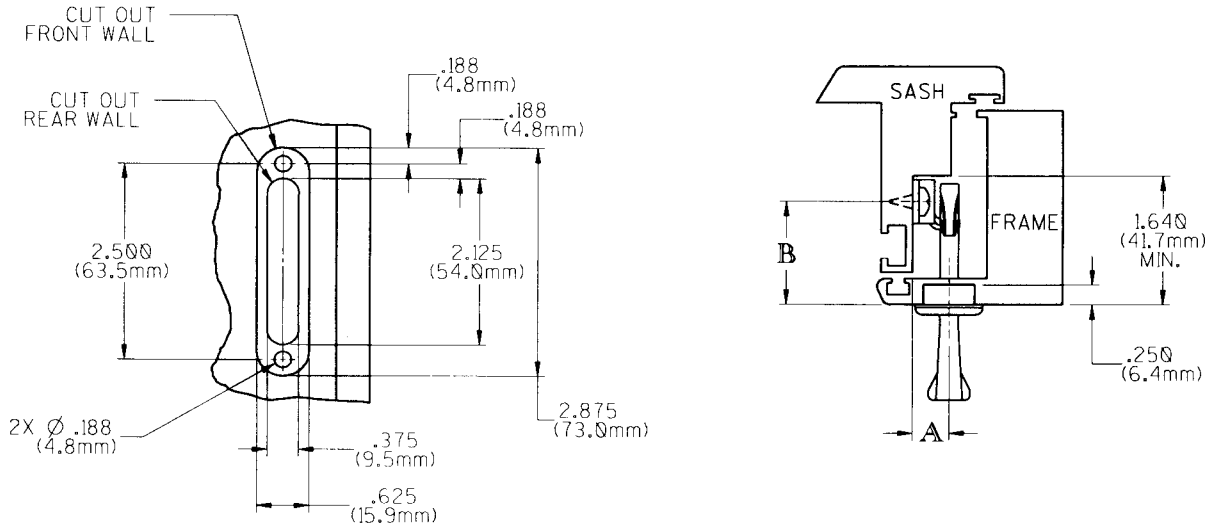


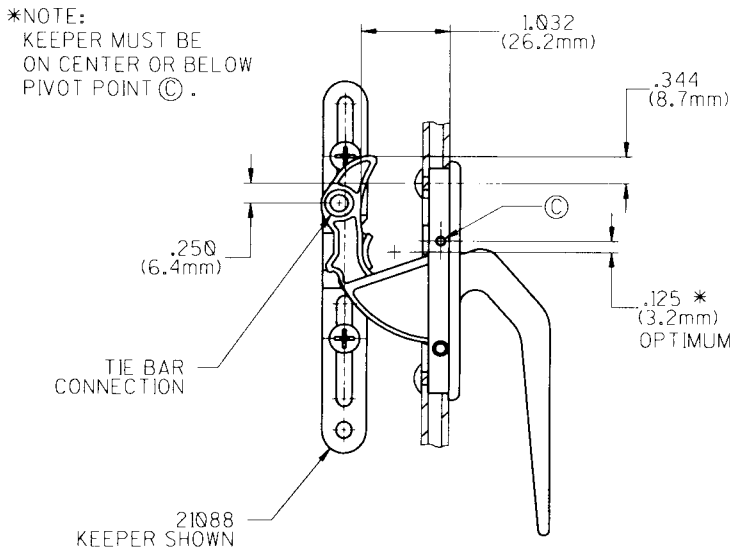
Truth 24.12 Locking Handle

ROBERT BROOKE AND ASSOCIATES

FIG. 8 APPLICATION OF REAR MOUNTED 24.25 LOCKING HANDLE



LOCK CUT-OUT DETAIL



RECOMMENDED SCREWS:

WOOD/PVC/METAL : 2 (P/N 19214) #8 X .375 PHILLIPS, PAN HEAD SELF TAPPING SST SCREWS (LENGTH DETERMINED BY PROFILE)

AVAILABLE KEEPERS	A	B
20800	.218 (5.6mm)	1.375 (34.9mm)
21087	.218 (5.6mm)	
21088	.344 (8.7mm)	
21089	.406 (10.3mm)	1.282 (32.5mm)
31384	.218 (5.6mm)	
31376	.406 (10.3mm)	

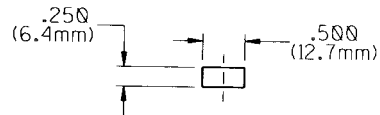
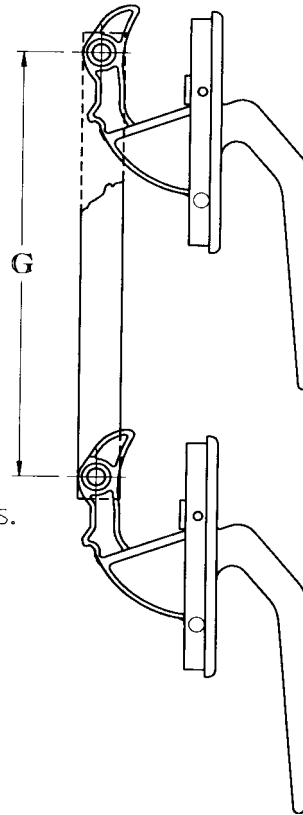
585 SOUTH ETON ROAD, P.O. BOX 2010, BIRMINGHAM, MI 48012-2010
CALL: 1-800-642-2403 FAX: 1-800-642-2406 ASK FOR: GREG

Truth 24.12 Locking Handle

ROBERT BROOKE AND ASSOCIATES

TIE BAR	G
20049	18.0 (457.2mm)
20050	24.0 (609.6mm)
20051	30.0 (762.0mm)
20276	32.0 (812.8mm)
20280	36.0 (914.4mm)
21052	40.0 (1016.0mm)
20698	42.0 (1066.8mm)
20306	59.0 (1498.6mm)

NOTE:
TIE BARS CANNOT BE USED WITH
KEEPERS WITH POSITIVE PICK-UP TABS.



RECOMMENDED SCREWS:

2 (P/N 20410) #8-32 X .500
PHILLIPS, FLAT HEAD, SHOULDERED STEEL
MACHINE SCREWS

585 SOUTH ETON ROAD, P.O. BOX 2010, BIRMINGHAM, MI 48012-2010
CALL: 1-800-642-2403 FAX: 1-800-642-2406 ASK FOR: GREG